



# Round Shoulder Square Olive Oil Bottle 500ml

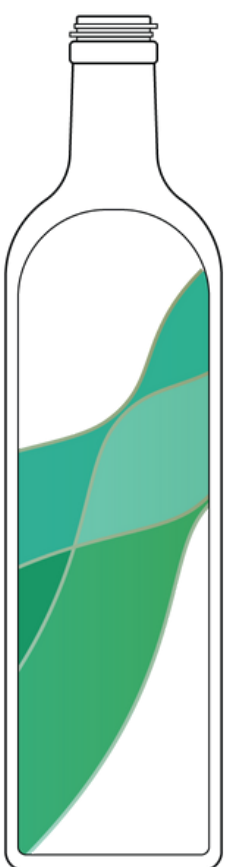
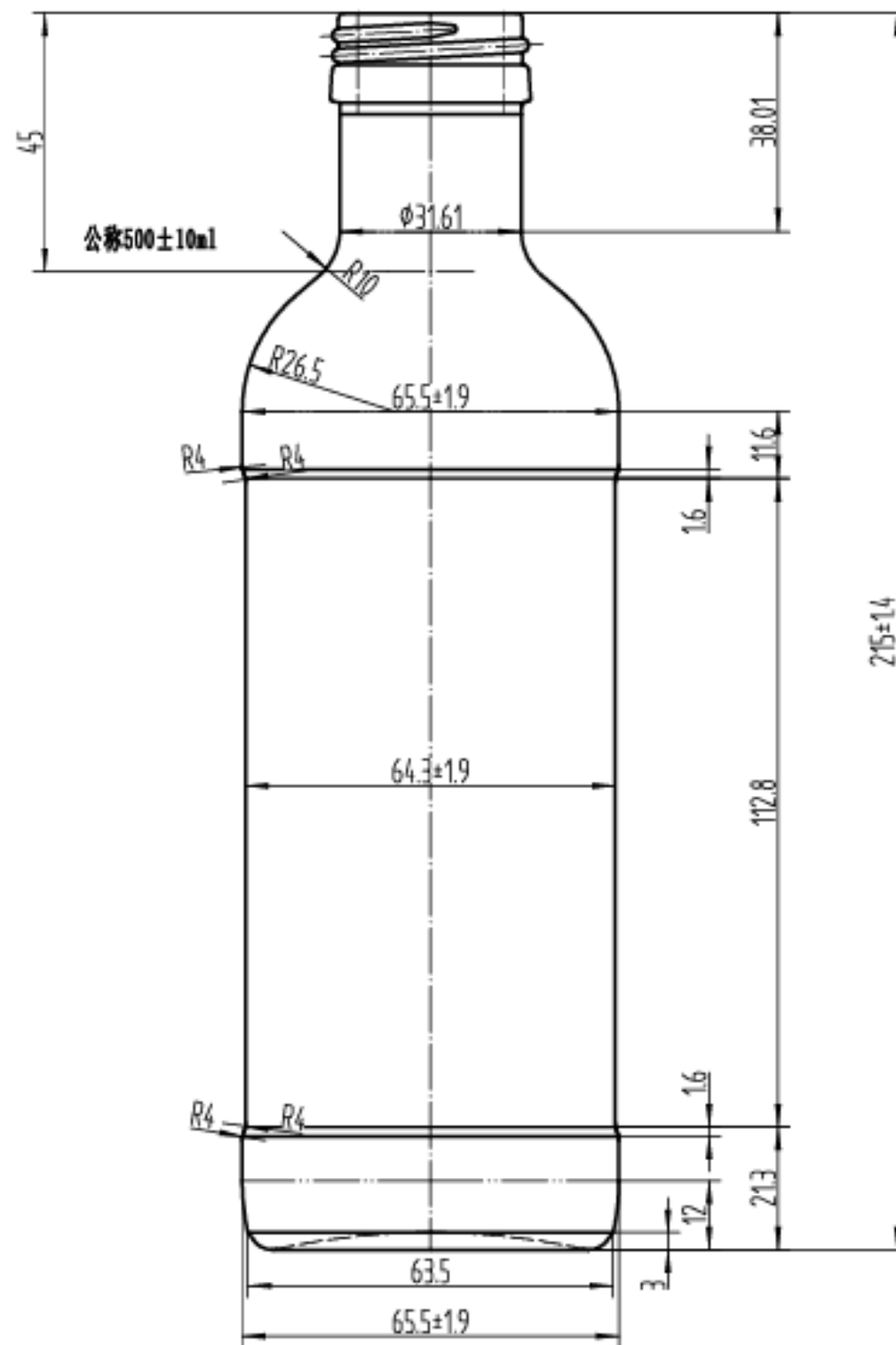


<b>Capacity</b> 500ml	<b>Bottle Diameter</b> 64.5mm	<b>Bottle Height</b> 215mm	<b>Crown Diameter</b> 34mm
<b>Qty. per Pallet</b> 2970	<b>Bottle Weight</b> 373g	<b>Max. Pallet per 40HQ</b> 21	<b>Pallet Weight</b> 1133 kg

MOQ for bottle in stock : 1x40 feet Container of mixed reference

MOQ for customized oil bottles : 200,000 units\*

\*On average



### Customized bottles

Need to emboss your logo or a tailor made shape ?

Mold opening cost :

- Single-set mold : **\$4,500**
- Double-set mold : **\$7,000**

Price including samples and international delivery.

Our mold opening costs and MOQ are on average **five times lower** than those of Western manufacturers.

We can also provide you with **caps, labels** and, **shrinking film** to personalize your bottle.

### ISO 9001 Certified Glass Bottles Manufacturer

**GlassRock** is a world specialist in manufacture & customization of glass bottles. Every day, we produce glass packaging for global & local partnered brands, helping them to pack and commercialize food and beverage products with healthy, attractive, and sustainable glass packaging.